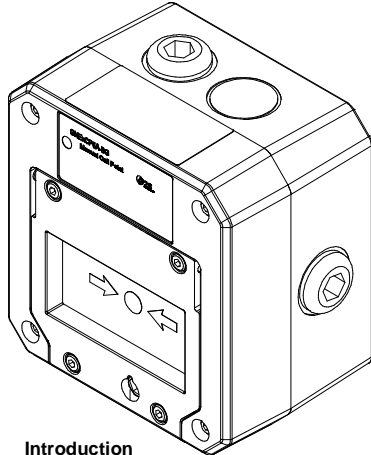


GNExCP6B-BG Manual Call Point - Breakglass With Resistor Modules For use in Flammable Gas and Combustible Dust Atmospheres.



1) Introduction

The GNExCP6B-BG is a break glass manual call point which is certified to the European and International Gas and Dust standards. The unit meets the requirements of the ATEX directive 94/9/EC and IECEx scheme.

The call point can be used in hazardous areas where potentially flammable gas and dust atmospheres may be present.

The GNExCP6B-BG has up to two of the following monitoring resistors/diodes/zeners/LEDs. The units are Group II, EPL (equipment protection level) Gb. The equipment is certified 'Ex e d mb IIC T4 Gb' and as such may be used in Zones 1 and 2 with flammable gases and vapours with gas groups IIA, IIB & IIC and temperature classes T1, T2, T3 and T4.

These units are also Group III, EPL Db. The equipment is certified 'Ex t IIIC T80°C Db' and as such may be used in Zones 21 and 22 for combustible dusts groups IIIA, IIIB & IIIC.

2) Marking


All units have a rating label, which carries the following important information:-


Unit Type No.:
GNExCP6B-BG Manual Call Point

Input Voltages:
48VDC nominal 56VDC Max 0.75Amax
24VDC nominal 28VDC Max 1.0A Max
12VDC nominal 15VDC Max 1.0A Max
6VDC nominal 9VDC Max 1.0A Max

Code:
Ex e d mb IIC T4 Gb
Ex t IIIC T80 °C Db
IP66
-40°C ≤ Ta ≤ +50°C

Certificate No.:
SIRA 09ATEX3286X
IECEx SIR 09.0121X

Epsilon x:  II 2GD

CE Marking
Notified body No.  0518

Year/Serial No. i.e. 12/1CP6BGG000001

**WARNING - DO NOT OPEN WHEN AN
EXPLOSIVE ATMOSPHERE MAY BE PRESENT,
ELECTROSTATIC HAZARD – CLEAN ONLY
WITH A DAMP CLOTH**

3) Type Approval Standards

The call point has an EC Type examination certificate issued by SIRA and have been approved to the following standards:-

IEC 60079-0:2007
EN 60079-1:2004 / IEC 60079-1:2003
EN 60079-7:2007 / IEC 60079-7:2006
IEC 60079-18:2009

EN 61241-1:2004 / IEC 61241-1:2004

The equipment is certified for use in ambient temperatures in the range -40°C to +50°C and shall not be used outside this range.

4) Installation Requirements

Installation of this equipment shall only be carried out by suitably trained personnel in accordance with the applicable code of practice e.g.

IEC 60079-14/EN 60079-14

Repair of this equipment shall only be carried out by the manufacturer or in accordance with the applicable code of practice e.g. IEC 60079-19/EN 60079-19.

The certification of this equipment relies on the following materials used in its construction:

Enclosure: GRP - Glass Reinforced Polyester

Through enclosure mechanism: Plastic Nylon Zytel Injection Moulded

Sealing of enclosure and mechanism: O-ring Acrylonitrile-Butadiene Rubber

Potting Compound of resistors where used: Epoxy Resin

If the equipment is likely to come into contact with aggressive substances, then it is the responsibility of the user to take suitable precautions that prevent it from being adversely affected, thus ensuring that the type of protection is not compromised.

"Aggressive substances" - e.g. acidic liquids, gases or solvents that may affect polymeric materials.

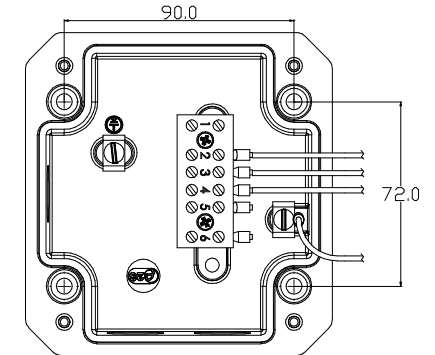
"Suitable precautions" - e.g. regular checks as part of routine inspections or establishing from the material's data sheet that it is resistant to specific chemicals.

Refer to certificates SIRA 09ATEX3286X and IECEx SIR 09.0121X for special conditions of safe use.

Under extreme conditions the unit may generate an ignition-capable level of electrostatic charges. The unit must not be installed in a location where it may be subjected to external conditions (such as high pressure steam) which may cause a build-up of electrostatic charges on non-conducting surfaces. Cleaning of the unit must only be carried out with a damp cloth.

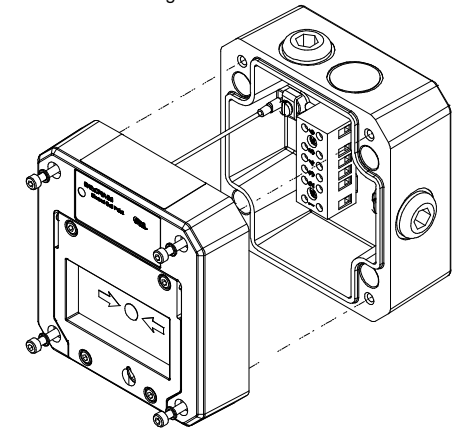
5) Call Point Location and Mounting

The location of the call point should enable ease of access for operation and testing. The unit should be mounted using the 4 off fixing holes which will accept up to M4 sized fixings.



View of base unit showing fixing centres (in mm).

To gain access to the mounting holes in the base the front cover must be removed. This is achieved by removing the 4 off M4 cap head bolts holding on the cover.

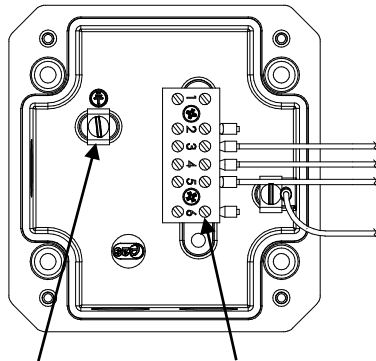


Once the screws are removed the cover will hang down out of the way to gain access to the Ex e terminal block, the internal earth terminal and mounting hole recesses.

6) Earthing

The unit has an internal earth terminal. It is recommended that a cable crimp lug is used on the earth wires.

The internal earth wire is placed under an earth clamp which will stop the cable twisting. This is secured by an M4 screw and spring washer.



Internal Earth terminal

Ex e terminal block

7) Cable connections

There are 3 off cable entries for M20x1.5 Ex e approved cable glands or stopping plugs with a minimum ingress protection of IP66

The unit can be wired in a number of different ways depending on the device combination selected.

EOL (End of line) device; resistor – ExxxR / diode – ED1 / zener – ExxxZ

Series (In line) device; resistor – SxxxR / diode – SD1 / zener – SxxxZ / LED

Microswitch 1 = M/S 1

Microswitch 2 = M/S 2

The unit can be wired with a maximum of 2 module devices – see wiring diagrams.

Note:- The maximum voltage stated must not be exceeded, as the internal resistor modules are

rated as compliant with Ex mb according to the units voltage

Please refer to wiring diagrams on sheets 3 & 4.

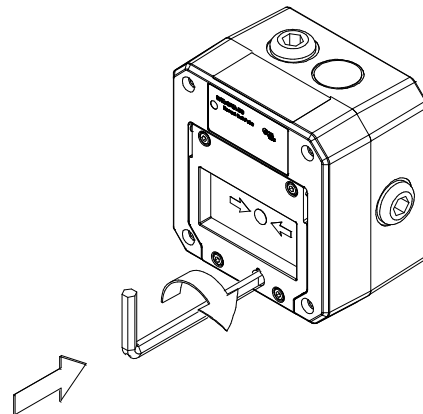
When wiring to Increased Safety terminal enclosures, you are only permitted to connect one wire into each way on the terminal block, unless a pair of wires are crimped into a suitable ferrule. Wire sizes allowable are 0.5sqmm to 4.0sqmm

The terminals are only permitted to be wired with cable in an ambient temperature range of between -10°C to 80°C. All terminal screws, used or unused, must be fully tightened down.

Leads connected to the terminals must be insulated for the appropriate voltage and this insulation must extend to within 1mm of the metal of the terminal throat.

8) Testing unit operation

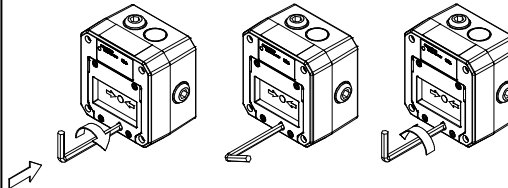
The break glass unit can be tested without the need to break/replace the frangible glass element. A test key (7mm Allen key) is used to mechanically drop the glass down activating the switch.



The test key is inserted in the test cam and rotated clockwise by an angle of 60° the glass element will visibly drop down in the viewable window.

The call point switch will now change over its contacts to operate the alarm.

Once testing is complete the unit needs to be reset, the test key is rotated back anticlockwise by an angle of 60° back to its original position. The glass element should now raise up so it is level again in the viewable window.

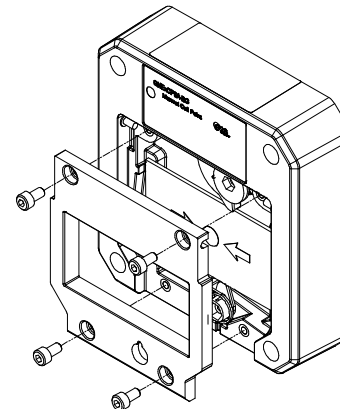


1. Insert test Key rotate clockwise 60°
2. Hold in position during test
3. Rotate back anticlockwise to reset

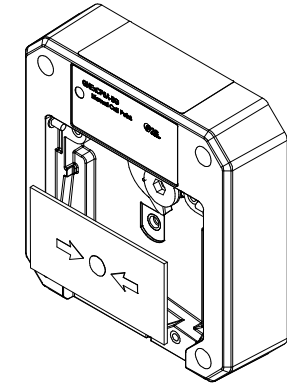
9) Replacement of glass element

If the break glass unit has been operated the broken glass element can be quickly replaced.

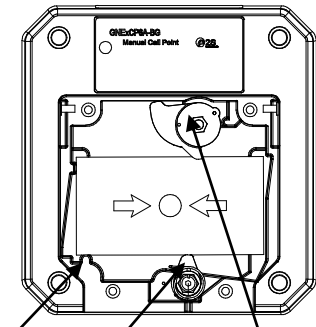
The break glass cover plate is removed by unscrewing the 4 off M4 cap head screws attaching it.



Once the cover is removed the broken glass will be free to be removed, clean out any other fragments of glass carefully.



To fit the new glass element rotate the top cam clockwise by an angle of 50° (use a 6mm Allen key) this will then allow the glass to fit back into the pocket it sits in, resting on the pivot point and test cam, release the top cam to rest on the top of the glass element.



Pivot point Test Cam Top Cam (rotate)

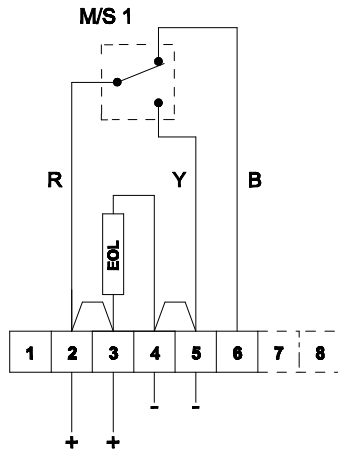
Replace the cover plate and tighten the 4 off M4 cap head screws.

Ensure the glass element is free to move under the cover plate. This can be done by running through the units test operation. See section 8 of this instruction manual.

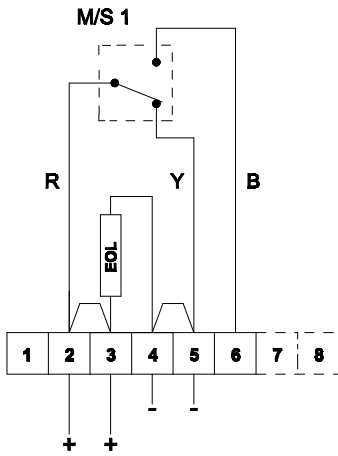
Wiring Diagrams

Single Microswitch with EOL (End Of Line) Device

Resistor: - ExxxR
 Diode: - ED1
 Zener Diode: - ExxxZ



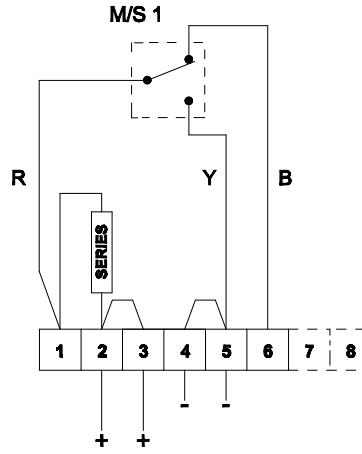
1A - Circuit shown in Unoperated condition (Glass Intact)
 Terminals +(2,3) & -(4,5) open
 Terminals +(2,3) & -(6) closed



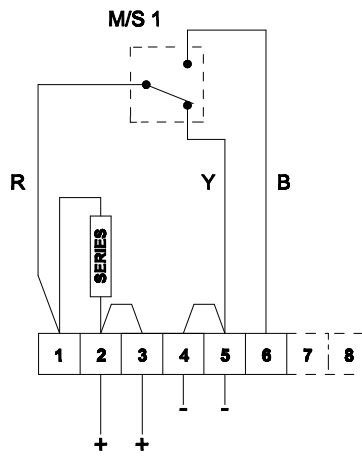
1B - Circuit shown in Operated condition (Glass Broken)
 Terminals +(2,3) & -(4,5) closed
 Terminals +(2,3) & -(6) open

Single Microswitch with Series (In Line) Device

Resistor: - SxxxR
 Diode: - SD1
 Zener Diode: - SxxxZ
 LED: - LED



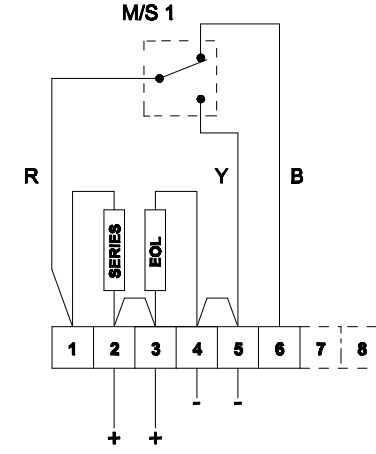
2A - Circuit shown in Unoperated condition (Glass Intact)
 Terminals +(2,3) & -(4,5) open
 Terminals +(2,3) & -(6) closed



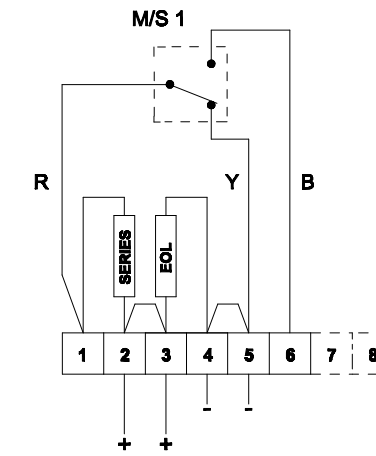
2B - Circuit shown in Operated condition (Glass Broken)
 Terminals +(2,3) & -(4,5) closed
 Terminals +(2,3) & -(6) open

Single Microswitch with EOL & Series Device

	EOL	Series
Resistor: -	ExxxR	SxxxR
Diode: -	ED1	SD1
Zener Diode: -	ExxxZ	SxxxZ
LED: -	N/A	LED



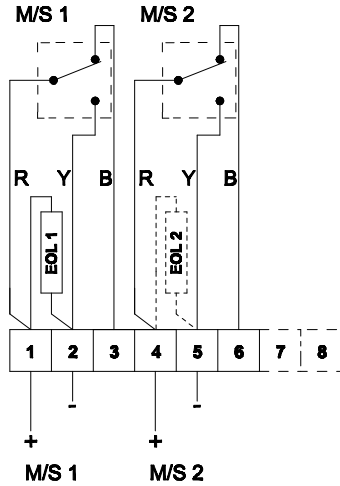
3A - Circuit shown in Unoperated condition (Glass Intact)
 Terminals +(2,3) & -(4,5) open
 Terminals +(2,3) & -(6) closed



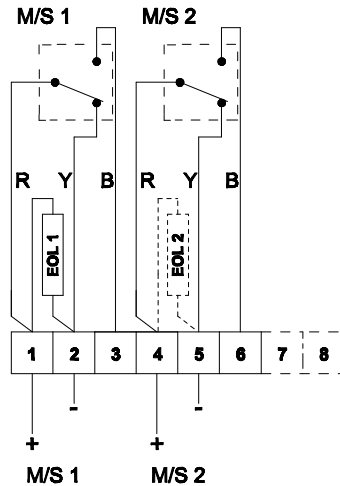
3B - Circuit shown in Operated condition (Glass Broken)
 Terminals +(2,3) & -(4,5) closed
 Terminals +(2,3) & -(6) open

Dual Microswitch with EOL (End Of Line) Device/s

Resistor: - ExxxR
 Diode: - ED1
 Zener Diode: - ExxxZ



4A - Circuit shown in Unoperated condition (Glass Intact)
 Terminals + (1) & -(2) M/S 1 open and +(4) & -(5) M/S 2 open
 Terminals +(1) & -(3) M/S 1 and +(4) & -(6) M/S 2 closed

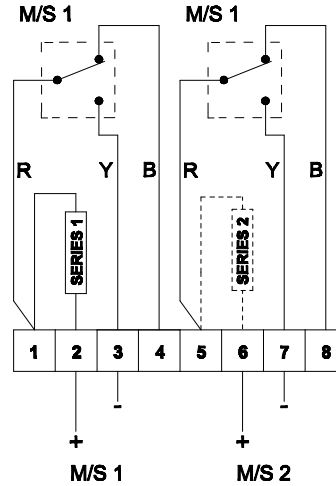


4B - Circuit shown in Operated condition (Glass Broken)
 Terminals+ (1) & -(2) M/S 1 open and +(4) & -(5) M/S 2 closed
 Terminals +(1) & -(3) M/S 1 and +(4) & -(6) M/S 2 open

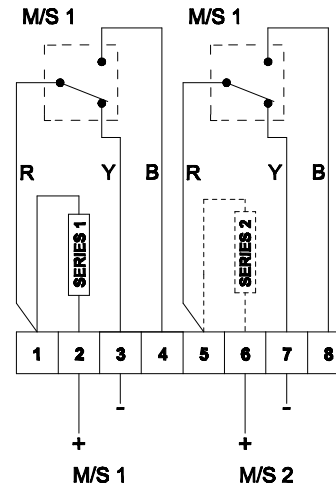
(DIN RAIL ONLY)

Dual Microswitch with Series (In Line) Device/s

Resistor: - SxxxR
 Diode: - SD1
 Zener Diode: - SxxxZ
 LED: - LED



5A - Circuit shown in Unoperated condition (Glass Intact)
 Terminals +(2) & -(3) M/S 1 and +(6) & -(7) M/S 2 open
 Terminals +(2) & -(4) M/S 1 and +(6) & -(8) M/S 2 closed

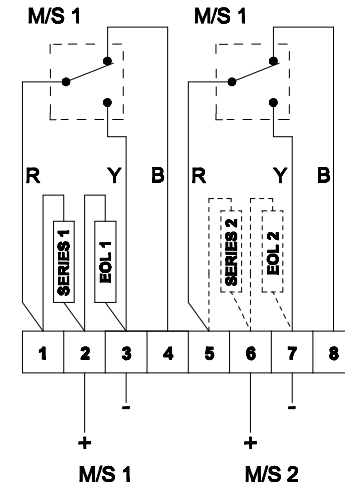


5B - Circuit shown in Operated condition (Glass Broken)
 Terminals +(2) & -(3) M/S 1 and +(6) & -(7) M/S 2 closed
 Terminals +(2) & -(4) M/S 1 and +(6) & -(8) M/S 2 open

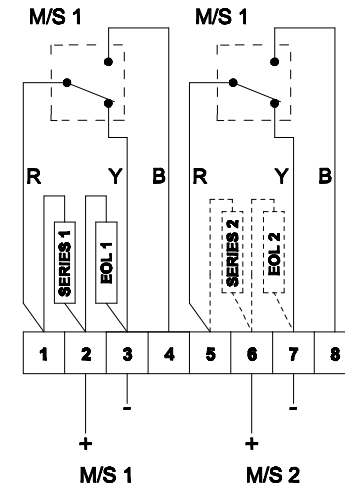
(DIN RAIL ONLY)

Single Microswitch with EOL & Series Device/s

Resistor: - ExxxR Series SxxxR
 Diode: - ED1 SD1
 Zener Diode: - ExxxZ SxxxZ
 LED: - N/A LED



6A - Circuit shown in Unoperated condition (Glass Intact)
 Terminals +(2) & -(3) M/S 1 and +(6) & -(7) M/S 2 open
 Terminals +(2) & -(4) M/S 1 and +(6) & -(8) M/S 2 closed



6B - Circuit shown in Operated condition (Glass Broken)
 Terminals +(2) & -(3) M/S 1 and +(6) & -(7) M/S 2 closed
 Terminals +(2) & -(4) M/S 1 and +(6) & -(8) M/S 2 open